



## X Series Heavy IC Forklift Trucks

with capacities of 14,000 to 18,000kg



**ZHEJIANG HANGCHA IMP. & EXP. CO., LTD.**

**Factory site:** 666 Xiangfu Road,  
Hangzhou, Zhejiang, China (311305)

Tel: +86-571-88926735 88926755  
Fax: +86-571-88926789 88132890

sales@hcforklift.com  
www.hcforklift.com



Follow us on  
Facebook



Follow us on  
YouTube



Follow us on  
WeChat



ISO14001  
ISO14001:2015



ISO9001  
ISO9001:2015



HANGCHA trucks conform  
to the European Safety  
Requirements.

2020 VERSION 1

HANGCHA GROUP CO., LTD. reserves the right to make any changes without notice concerning colors, equipment, or specifications detailed in this brochure, or to discontinue individual models. The colors of trucks, delivered may differ slightly from those in brochures.

*The World of Hangcha*



# X SERIES HEAVY IC FORKLIFT TRUCKS

The heavy load X series is extension of the new series of internal combustion counterbalance forklift truck developed by Hangcha independently, adopting the world advanced technologies based on the original products. Through the comprehensive upgrading of appearance molding, energy conservation, environmental protection, comfort, security and reliability, it will become the world-class forklift truck which can meet your overall demands.

## CHARACTERISTICS

The truck has professional and entirely-new appearance, has great identifiable degree, has simple and smooth profiling and has great industrial aesthetics. The exposed parts are arranged in concealed manner, and the appearance is more concise.

The key parts are products of internationally well-known brands, have been utilized in the products of previous models, have been validated by the market, and are reliable and durable; The modular and standard design is applicable, the main parts are validated in advance and by steps, the truck has great maturity.



# Easy/ Efficiency/ Economy



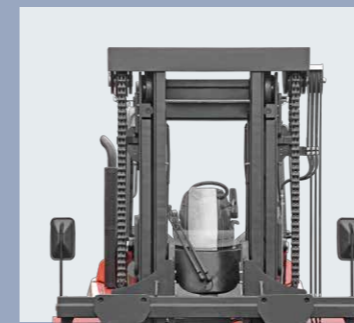
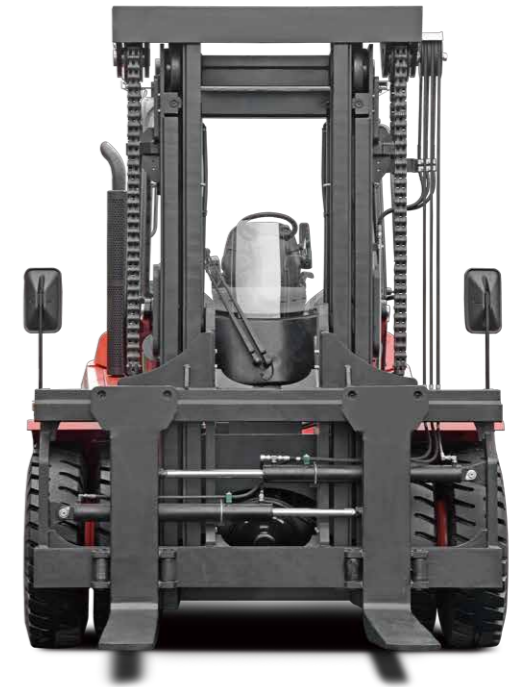
## POWERFUL TRUCKS

### High Performance

The performance is improved. The travel speed and lift speed are improved by 10%-20%. The body of the truck is reduced, and the flexibility is strengthened. Thanks to CAE (Computer Aided Engineering) technology, structural components are more balanced.

### Comfort

With the new-style fully-suspended and overall-view cab. The profile of the truck is optimized; The vision is more excellent. The interior ornaments are formed, feeling is more comfortable; Shaped steel tube integral frame provides high strength and better sealing.



Excellent all round visibility is achieved by the overall design.



Thanks to the unique design, cab can be tilt without any tools, major service items can be reached easily by tilting the cabin, maximized access is possible.



Optional imaging system with front and rear camera, increasing the safety greatly.



ZF gear box with micro-electronic control provides for three-shift power shifting, travelling is stable and accurate.



Load sensing hydraulics provide high efficiency and energy saving, reducing hydraulic oil working temperature and also extending the life of hydraulic components and seals.



Anti-slip pedal provides high safety and easy maintenance.



Battery compartment is easy to open for easy maintenance.



The newly designed LCD instrument has more comprehensive functions and more stable performance. It can display the important information such as truck status and engine faults... So that the operator can understand the truck status more intuitively and facilitate maintenance.



Suspended seat with fingertip system that can be easily adjusted to suit each customer.



KESSLER heavy-duty traction axle, two-stage deceleration; Wet brake, maintenance-free; Hydraulic release spring action parking brake, safe and reliable.



## Standard Specification

- / Duplex mast
- / Single control lever - Fork position operation
- / Cooling/heating air-conditioner
- / Fully-hydraulic power steering
- / Quadruple multi-way valve
- / OPS system
- / Adjustable steering column
- / Tip-over oil circuit self-lock valve
- / Lifting speed limit valve
- / High-position exhaust
- / Traction device
- / Power-off switch
- / Reversing radar
- / CAN-bus structure indicator
- / LED lamps
- / Pneumatic tyre
- / Reversing buzzer
- / Snail horn
- / Manual tilting cab
- / Adjustable armrest
- / Tools

## Options

- / Customer color
- / Special forks
- / Portals of other specifications
- / Solid tyre
- / On-board interphone
- / Audible warning reverse alarm
- / Alarm lamp
- / Video monitoring system
- / Spark extinguisher
- / Fire extinguisher (2kg/4kg)
- / Automatic fire extinguishing device
- / LED work lamp
- / Four-circuit driving recording system
- / Speed limit device
- / Blue lamp
- / Weighing system
- / Air pre-filter
- / Electrostatic conduction chain
- / Fan
- / Electro-hydraulic tilting cab

## Reliability

Increased digitization, additional central controller, CAN-bus structure, built-in multiple diagnostic, management functions and fault alarm are convenient for diagnosis.

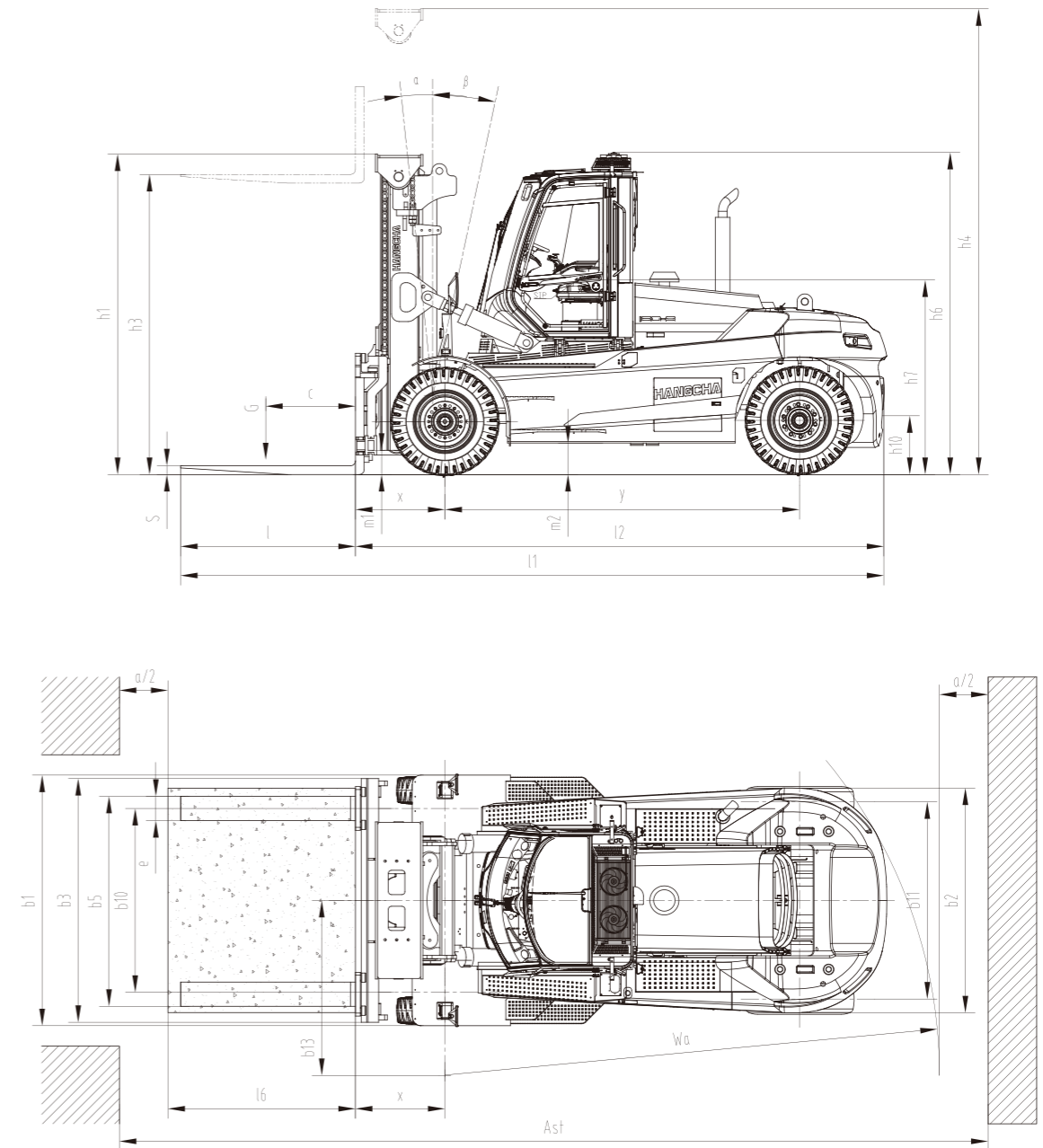
## Precise Operation

Integrated fingertip system, pilot control, smart and accurate; Hydraulic brake curve optimization, smooth and easy control.



# X Series 14-18t Diesel Counterbalanced Trucks

Distinguishing mark		HANGCHA GROUP CO.,LTD.				
		CPCD140-XRW85G	CPCD140-XRAW85G	CPCD160-XRW85G	CPCD180-XRW85G	
1.1	Manufacturer	HANGCHA GROUP CO.,LTD.				
1.2	Manufacturer's type designation	CPCD140-XRW85G CPCD140-XRAW85G CPCD160-XRW85G CPCD180-XRW85G				
1.3	Drive: electric (battery or mains), diesel, petrol, fuel gas	Diesel Diesel Diesel Diesel				
1.4	Operator type: hand, pedestrian, standing, seated, order-picker	Seated Seated Seated Seated				
1.5	Rated capacity/rated load	Q (kg) 14000 14000 16000 18000				
1.6	Load centre distance	c (mm) 900 1200 900 600				
1.8	Load distance, centre of drive axle to fork	x (mm) 920 920 920 920				
1.9	Wheelbase	y (mm) 3650 3650 3650 3650				
Weight		2.1	Service Weight	kg	20500 22100 21500 20900	
Tyres, chassis		3.1	Tyres: solid rubber, superelastic, pneumatic, polyurethane	Pneumatic Pneumatic Pneumatic Pneumatic		
3.2	Tyre size, front	12.00-20-20PR 12.00-20-20PR 12.00-20-20PR 12.00-20-20PR				
3.3	Tyre size, rear	12.00-20-20PR 12.00-20-20PR 12.00-20-20PR 12.00-20-20PR				
3.5	Wheels, number front / rear (x = driven wheels)	4x/2 4x/2 4x/2 4x/2				
3.6	Tread, front	b10 (mm) 1894 1894 1894 1894				
3.7	Tread, rear	b11 (mm) 2030 2030 2030 2030				
Dimensions		4.1	Tilt of mast/fork carriage forward/backward	$\alpha/\beta(^{\circ})$ 6/12 6/12 6/12 6/12		
4.2	Height, mast lowered	h1 (mm) 3300 3300 3300 3300				
4.3	Free lift	h2 (mm) 90 95 90 90				
4.4	Lift	h3 (mm) 3000 3000 3000 3000				
4.5	Height, mast extended	h4 (mm) 4800 4800 4800 4800				
4.7	Height of overhead cabin	h5 (mm) 3300 3300 3300 3300				
4.8	Seat height relating to SIP	h7 (mm) 2010 2010 2010 2010				
4.12	Coupling height	h10 (mm) 550 550 550 550				
4.19	Overall length	l1 (mm) 7270 7910 7270 6970				
4.20	Length to face of forks	l2 (mm) 5470 5470 5470 5470				
4.21	Overall width	b1/b2 (mm) 2580/2320 2580/2320 2580/2320 2580/2320				
4.22	Fork dimensions	s/e/l (mm) 90*250*1800 95*250*2440 90*250*1800 90*250*1500				
4.24	Fork-carriage width	b3 (mm) 2510 2510 2510 2510				
4.25	Distance between fork-arms	b5 (mm) 750/2300 750/2300 750/2300 750/2300				
4.31	Ground clearance, laden, below mast	m1 (mm) 250 250 250 250				
4.32	Ground clearance, centre of wheelbase	m2 (mm) 325 325 325 325				
4.34.1	Aisle width with load length 1800mm	Ast (mm) 7870 8510 7870 7870				
4.34.2	Aisle width with load length 2400mm	Ast (mm) 8470 8510 8470 8470				
4.35	Turning radius	Wa (mm) 4950 4950 4950 4950				
4.36	Minimum pivoting point distance	b13 (mm) 1800 1800 1800 1800				
Performance data		5.1	Travel speed, laden/unladen	km/h 26/30 26/30 26/30 26/30		
5.2	Lift speed, laden/unladen	m/s 0.35/0.4 0.35/0.4 0.35/0.4 0.33/0.38				
5.3	Lowering speed, laden/unladen	m/s 0.38/0.35 0.38/0.35 0.38/0.35 0.38/0.35				
5.5	Drawbar pull, laden/unladen	N 150000/75000 150000/75000 150000/75000 150000/75000				
5.7	Gradeability, laden/unladen	% 28/- 28/- 28/- 28/-				
5.10	Service brake	Wet disc brake Wet disc brake Wet disc brake Wet disc brake				
	Parking brake	spring applied, hydraulic release multi-disc brake spring applied, hydraulic release multi-disc brake spring applied, hydraulic release multi-disc brake spring applied, hydraulic release multi-disc brake				
Combustion-engine		7.1	Engine manufacturer/type	CUMMINS/QSB6.7-173 CUMMINS/QSB6.7-173 CUMMINS/QSB6.7-173 CUMMINS/QSB6.7-173		
	Emission STD	Stage 3A/Tier 3 Stage 3A/Tier 3 Stage 3A/Tier 3 Stage 3A/Tier 3				
7.2	Engine power	kW 129 129 129 129				
7.3	Rated speed	r/min 2200 2200 2200 2200				
7.4	Number of cylinders/displacement	(-)/(cm <sup>3</sup> ) 6/6700 6/6700 6/6700 6/6700				
7.9	Vehicle electrical system voltage	V 24 24 24 24				
7.10	Battery voltage/nominal capacity	V/Ah 2*12/120 2*12/120 2*12/120 2*12/120				
	Rated torque	N·m/r/min 799/1400 799/1400 799/1400 799/1400				
	Transmissions Manufacturer	ZF ZF ZF ZF				
	Transmissions Type	3WG161 3WG161 3WG161 3WG161				
	Stage FWD/RVS	3/3 3/3 3/3 3/3				
Addition data		10.1	Operating pressure for attachments	bar 250 250 250 250		
10.2	Oil volume for attachments	l/min 265 265 265 265				
10.3	Hydraulic Tank - capacity (drain & refill)	liter 320 320 320 320				
10.4	Fuel tank capacity	liter 320 320 320 320				
10.7	Sound pressure level at the driver's seat	dB (A) 78 78 78 78				



## 14-18t X series mast:(Pneumatic)

Type	Model	Max. fork height	Overall height		Tilt Range	Capacity			
			Lowered	Extended		LC @900mm	LC @1200mm	LC @900mm	LC @600mm
		mm	mm	mm	( $^{\circ}$ )	14t	14t	16t	18t
						kg	kg	kg	kg
Duplex mast	GXR140/141/160/X180M300	3000	3300	4800	6/12	14000	14000	16000	18000
	GXR140/141/160/X180M330	3300	3450	5100	6/12	14000	14000	16000	18000
	GXR140/141/160/X180M360	3600	3600	5400	6/12	14000	14000	16000	18000
	GXR140/141/160/X180M400	4000	3800	5800	6/12	14000	14000	16000	18000
	GXR140/141/160/X180M430	4300	4000	6150	6/12	14000	14000	16000	18000
	GXR140/141/160/X180M450	4500	4100	6350	6/12	14000	14000	16000	18000
	GXR140/141/160/X180M480	4800	4250	6650	6/6	14000	14000	16000	18000
	GXR140/141/160/X180M500	5000	4350	6850	6/6	14000	14000	16000	18000
	GXR140/141/160/X180M550	5500	4650	7400	3/6	12500	12500	14500	16500
	GXR140/141/160/X180M600	6000	4900	7900	3/6	11000	11000	13000	15000
GXR140/141/160/X180M650	6500	5200	8450	3/6	9500	9500	11500	13500	

Capacity kg

