

C-SERIES C3500 - C5000

Multi-directional forklift
designed for the safe, space
saving and productive handling
of long and bulky loads.

COMBiLiFT

LIFTING INNOVATION

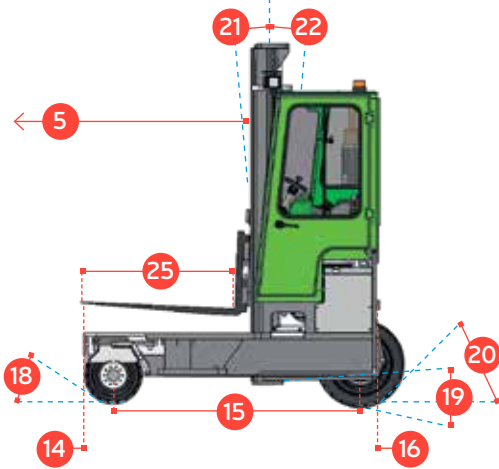


combilift.com

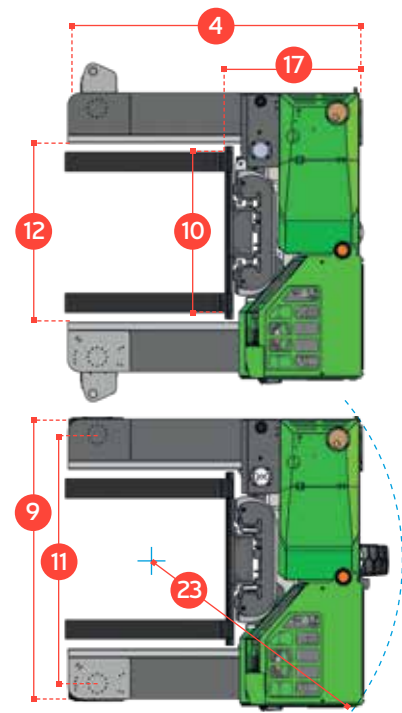
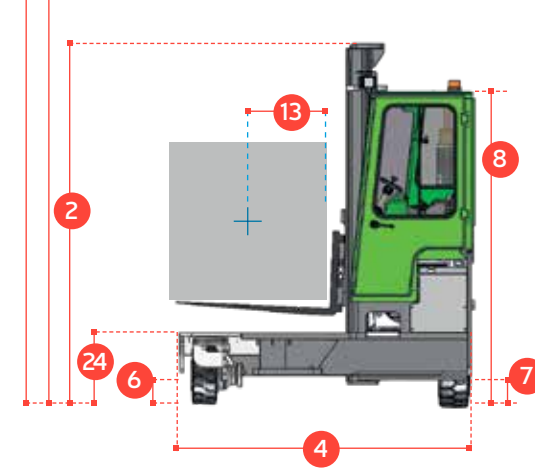
C-SERIES

C3500 - C5000

FRONTAL MODE



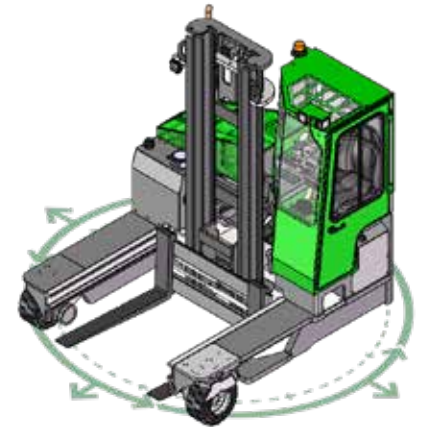
SI DEWARD MODE



REF.	DESCRIPTION	C3500	C4000	C5000
1a	Max. Lift Height		4040mm	
1b	Freelift Height		0mm	
2	Height Mast Closed		2855mm	
3	Max. Mast raised		4870mm	
4	Overall Length	1950mm	2300mm	2500mm
5	Mast Travel	950mm	1300mm	1400mm
6	Ground Clearance Under Mast		150mm	
7	Ground Clearance to Centre of Wheelbase		200mm	
8	Height Over Cab (Without work lights)		2435mm	
9	Width		2190mm	
10	Outside Spread of Fork Arms		1350mm	
11	Track Front		1980mm	
12	Frame Opening		1400mm	
13	Load Centre Distance		600mm	
14	Overhang Front		245mm	
15	Wheelbase	1565mm	1915 mm	2115mm
16	Overhang Back		140mm	
17	Length From Face of Fork	1100mm	1100mm	1150mm
18	Approach Angle		45°	
19	Ramp Angle		29°	
20	Departure Angle		45°	
21	Forward Tilt		3°	
22	Backward Tilt		5°	
23	Minimum Outside Radius	2000mm	2325mm	2490mm
24	Platform Height		545mm	
25	Platform Length	850mm	1200mm	1350mm

A	Capacity	3500 kg	4000 kg	5000 kg
B	Unladen Weight	6050 kg	6300 kg	6800 kg
C	Maximum Ground Speed		15 km/h	
D	Gradeability		15%	
E	Kubota V2403 T Diesel / 3 ltr GM LPG		44 kW / 48 kW	
F	Electrics		12 Volt	
G	Fork Section 150mm x 50mm x	850mm	1200mm	1350mm
H	200 / 50 x 10 Front Tyre		OD450mm / Width 200 mm	
I	27 x 10 - 12 Rear Tyre		OD680mm / Width 255mm	
J	Standard Colour		Green and Grey	
K	Suspension Seat		KAB Model 116	

Multi-Directional



Features Include:

- Rubber Mounted Cabin
- Multi-Directional Operation
- 3 Wheel Hydrostatic Drive
- Load Sensing Steering
- 4 Way Lever Positioning of Wheels
- Hydraulic Oil Cooler

Distributed by:

European Patent No. 2167416; Brazilian Patent No. P10811954-6; Australian Patent No. 2008253242

COMBILIFT HAS A POLICY OF CONTINUOUS PRODUCT DEVELOPMENT AND RESERVES THE RIGHT TO ALTER SPECIFICATIONS WITHOUT PRIOR NOTICE. SPECIFICATIONS AND/OR DIMENSIONS MAY VARY FROM THOSE ILLUSTRATED IN SOME COUNTRIES.